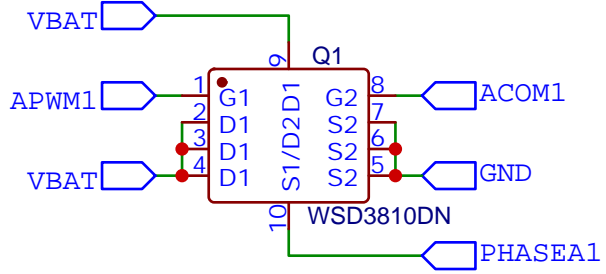
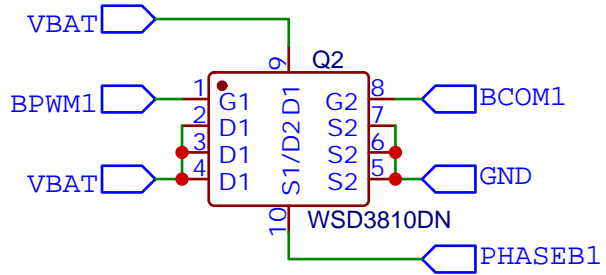


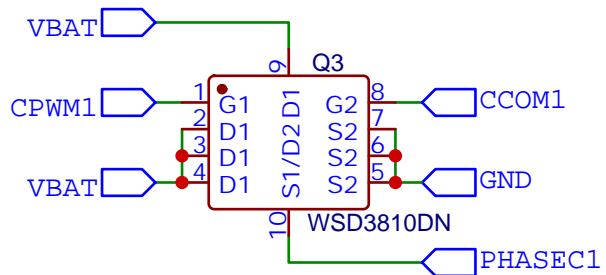
MOTOR1 - PHASE A



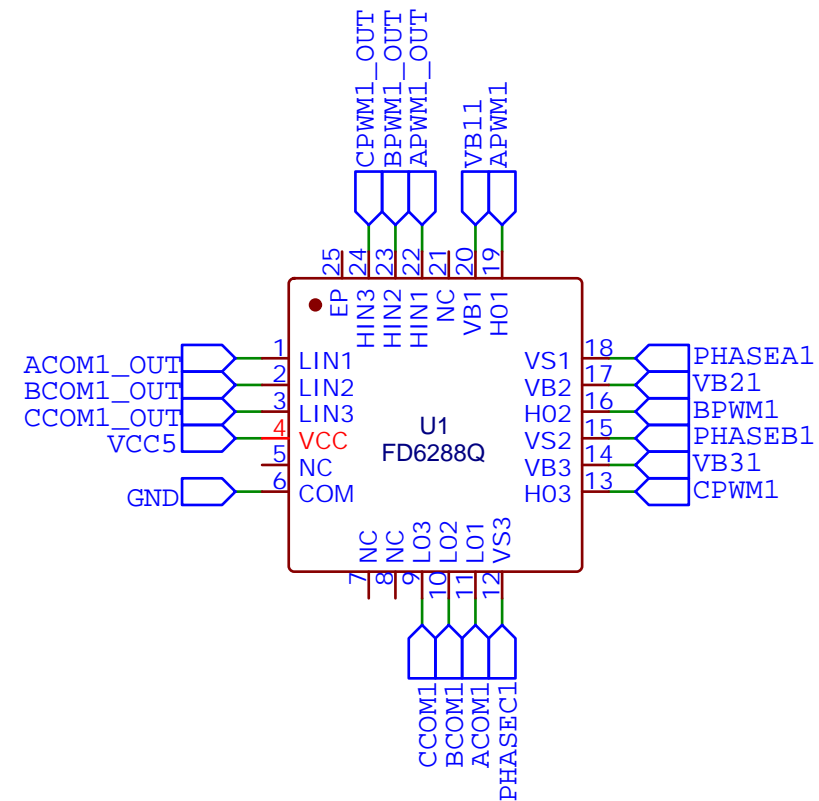
MOTOR1 - PHASE B



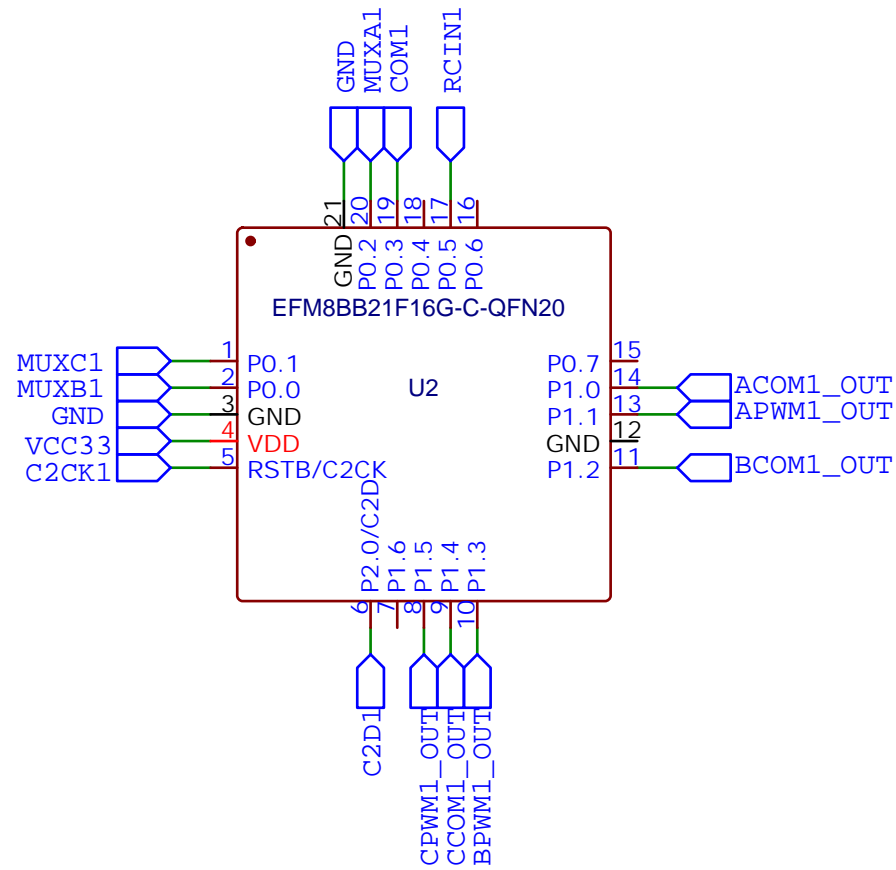
MOTOR1 - PHASE C



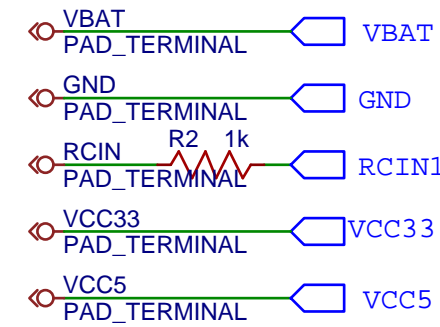
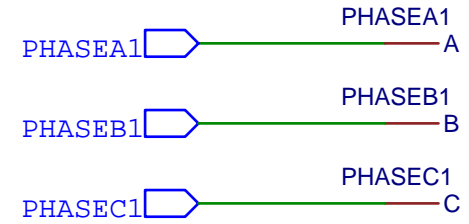
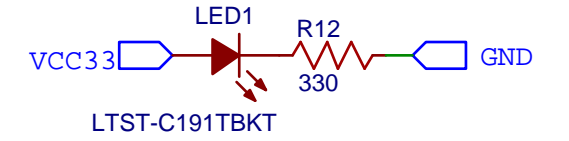
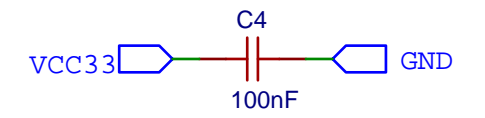
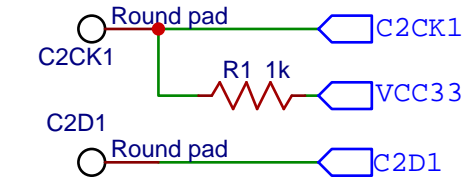
MOTOR1 - MOSFET DRIVER



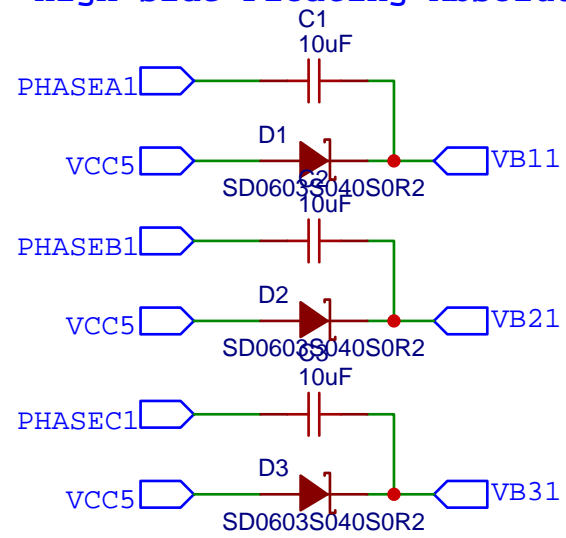
MOTOR1 - MCU



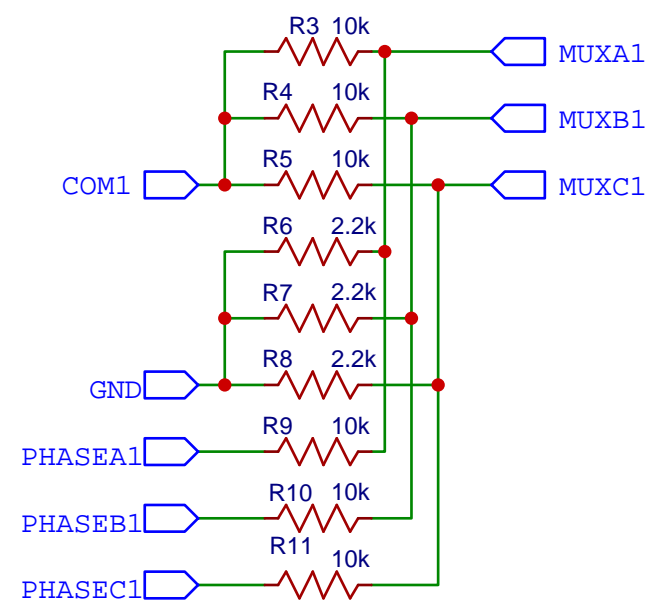
MOTOR1 - INPUTS/OUTPUTS



MOTOR1 - High-side Floating Absolute Voltage



MOTOR1 - COMPARATOR



TITLE: ESC		REV: 1.0
EasyEDA	Company: BertFPV	Sheet: 1/1
	Date: 2021-09-06	Drawn By: Englebert Lai